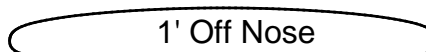
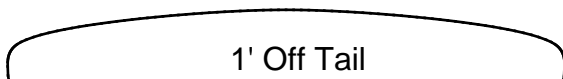
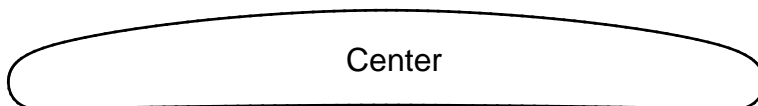
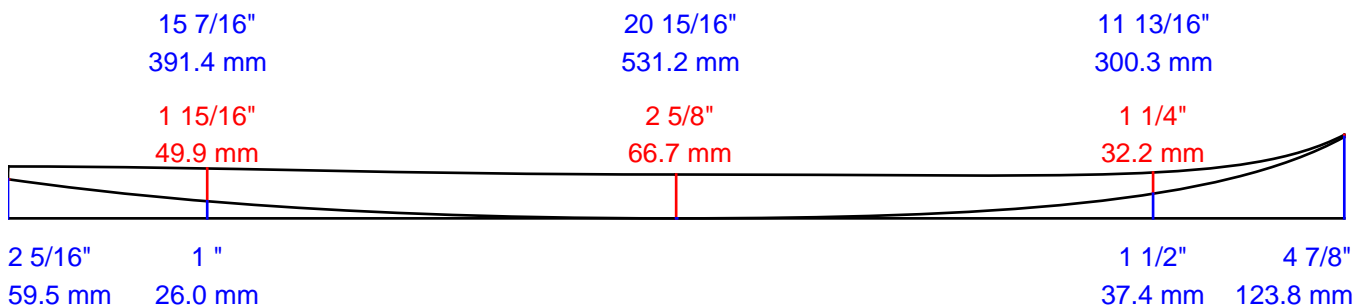
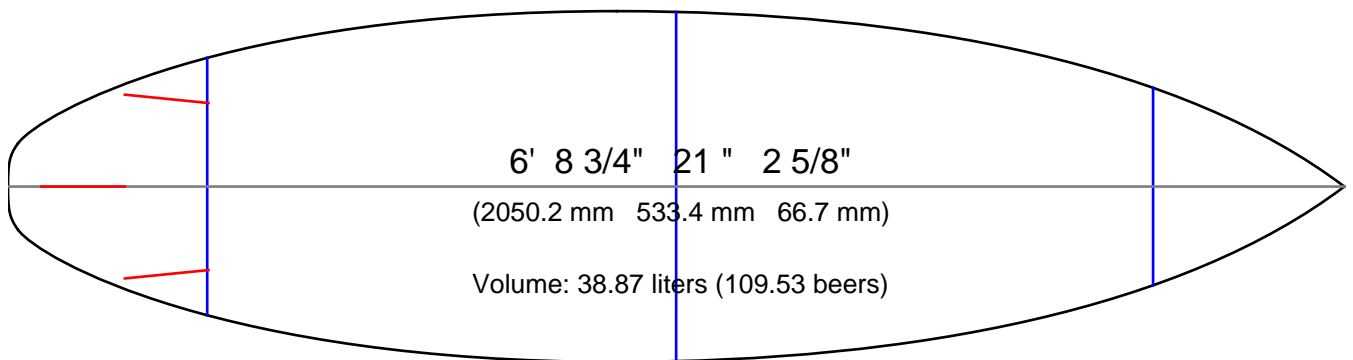




AKU SHAPER

Customer:
 Date: 3/06/2010
 Length: 6' 8 3/4" (2050.2)
 Width: 21" (533.4)
 Thickness: 2 5/8" (66.7)
 Tail Stop: 35 7/16" (900.0)

File: BigShorty
 Designed by: Murray Ceff
 Blank:



Measurements are center, one foot in and one foot back, over curve.

Fins: (Surfinz)

Center Fin:

x-pos front: 7" (177.8)
 x-pos back: 2" (50.8)
 depth: 0" (0.0)

Side Fins:

x-pos front: 12" (304.8)
 y-pos front: 5" (127.0)
 splay angle: 3 degrees
 x-pos back: 7" (177.8)
 y-pos back: 5 1/2" (139.7)
 depth: 0" (0.0)

Comments: