

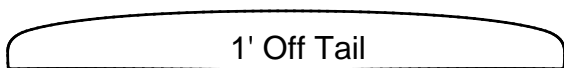
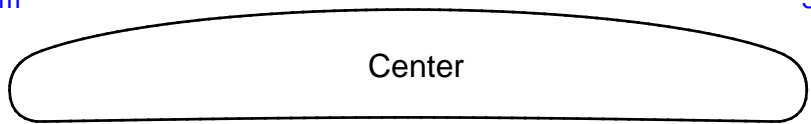
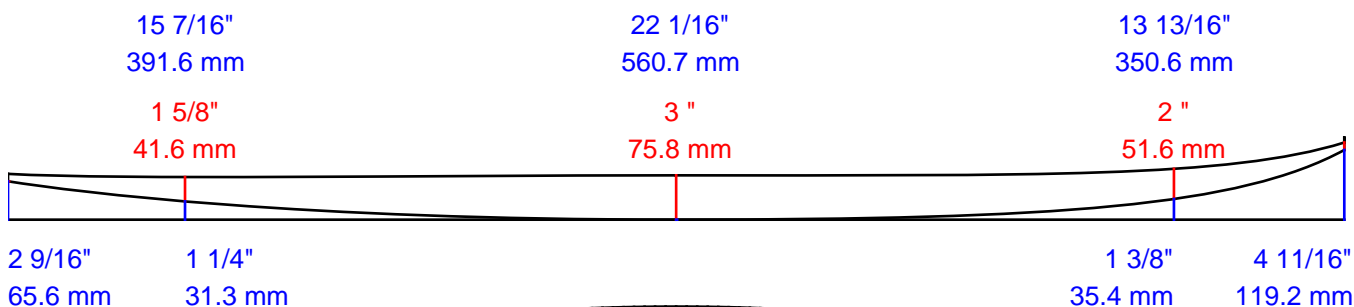
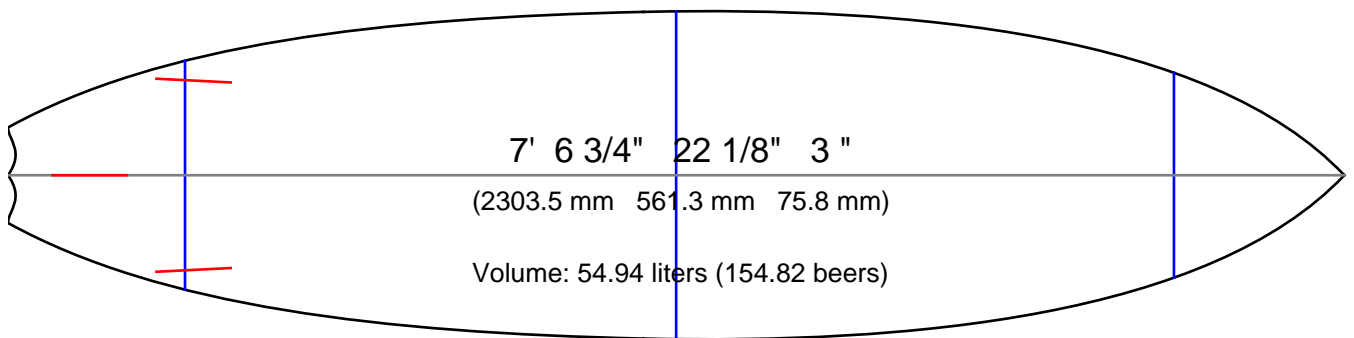


AKU SHAPER

Customer:
 Date: 3/06/2010
 Length: 7' 6 3/4" (2303.5)
 Width: 22 1/8" (561.3)
 Thickness: 3" (75.8)
 Tail Stop: 35 7/16" (900.0)

File: bigfish2

Designed by: Murray Ceff Blank:



Measurements are center, one foot in and one foot back, over curve.

Fins: (Surfinz)

Center Fin:

x-pos front: 8" (203.2)
 x-pos back: 3" (76.2)
 depth: 0" (0.0)

Side Fins:

x-pos front: 15" (381.0)
 y-pos front: 6 1/4" (158.8)
 splay angle: 0 degrees
 x-pos back: 10" (254.0)
 y-pos back: 6 1/2" (165.1)
 depth: 0" (0.0)

Comments:

- Blank - EPS
- color deck - clear
- color bottom - green/white tint in resin
- Logo - top and bottom
- Made in PRC decal - between fins
- Quad fins - Front fins areshown on drawing. plus centre fin. X Pos of rear fins are at 10" and 5" from tail. Y Pos is 5" at back and 4 3/4".